

2cm ARCHITECH PORCELAIN PAVERS

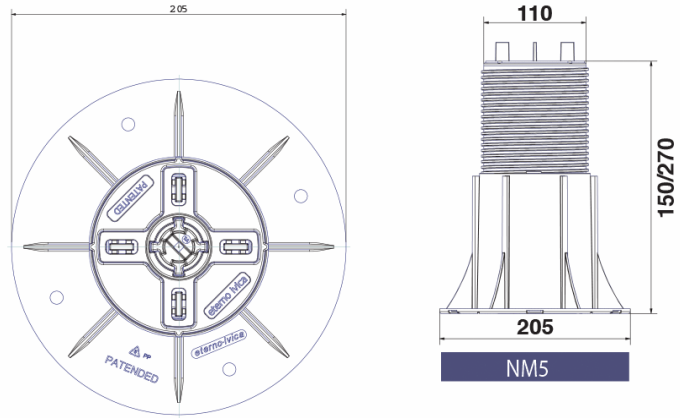
Lay on
GRASS
GRAVEL
SAND

TECHNICAL DATA SHEET

NM 4



ADJUSTABLE PAVING SUPPORT NEW MAXI



ITEM SPECIFICATION

"New Maxi" type pedestal for raised floors with adjustable height from 90mm to 160mm, provided of bi-component head with anti noise and anti slip rubber on top. Pedestals are composed by a cylindrical base element of 205 mm diameter for resting on the laying surface, an intermediate screw with a locking security system, and a top head element with 4 easy removable tabs of h.12 mm in 2, 3 or 4 mm thickness. Base is provided of holes for water drainage and of 4 precut lines to facilitate any cutting of the base in case of need. Adjustment in highness is made with the exclusive regulation key that connects with the screw, as it is independent from both base and head.

PRODUCT RANGE

PEDESTAL

PRODUCT NAME

NM 4

CHARACTERISTICS

Adjustable in highness. Bicomponent material (PP and rubber) self leveling head.

Regulation key for highness adjustment

Easy removable tabs

Security lock system to prevent unlocking.

RAW MATERIAL

Polypropylene and rubber (head top finishing)

ENVIRONMENTAL IMPACT

recyclable material - non dangerous

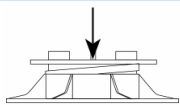
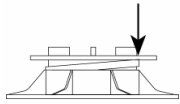
APPLICATIONS SURFACES

On any waterproofing membrane, or any insulating panel or any compact and solid surface

APPLICATIONS AREA

Usable with any prefabricated self sustaining element for exterior flooring

CHARACTERISTICS	UNIT	VALUE	TOLERANCE
BASE DIAMETER	mm	205	+/- mm 1,0
BASE THICKNESS	mm	2	+/- mm 0,2
HEAD DIAMETER	mm	110	+/- mm 0,8
LAYING SURFACE OF THE BASE	cmq	330	+/- cmq 5
MINIMUM HEIGHNESS	mm	90	+/- mm 1,0
MAXIMUM HEIGHNESS	mm	160	+/- mm 1,5
TABS THICKNESS	mm	2-3-4	+/- mm 0,2
TABS HIGHNESS	mm	12	+/- mm 0,2
WEIGHT	kg	0,441	+/- 5 %

TECHNICAL PROPERTIES		UNIT	VALUE
CENTRAL COMPRESSION LOADING LIMIT RESISTANCE* <small>(calculated at medium highness, between minimum and maximum extension)</small>		KN	29,57
ECCENTRIC COMPRESSION LOADING LIMIT RESISTANCE* <small>(calculated at medium highness, between minimum and maximum extension)</small>		KN	16,75
SLOPE CORRECTION		%	0 - 5
SHORE		Shore d	70 (+/- 3)

*Tests made by Civil and Environmental Department of University of Padova. 1 KN = 98,6 Kg

PHYSICAL PROPERTIES	METHOD	UNIT	VALUE
FIRE REACTION*	UNI EN 13501-1:2009	class	E
LOW TEMPERATURES REACTION			-40°

*Tests made by Giordano S.p.A. Institute of Bellaria-Iaeca Marina (RN)-Italy

PACKAGING AND STORAGE			
PIECES PER BOX			20
PIECES PER PALLET			30
BOX DIMENSION			cm 40x40x42
BOX WEIGHT			kg 9,6
PALLET DIMENSION			cm 80 x 120

The packing of the supports is made of boxes. The final pallets are wrapped with a polyethylene film. We recommend to store indoor, pallets to be protected from the rain.

LAYING OF THE PRODUCT	
	The product is simply laid on the laying area, with no need of any glue or fixing